

# DMX decoder Series



**DE8019**

## SUMMARIZE:

Thank you for using DMX512 Decoder series. It adopts the advanced micro-computer control technology, it converts the DMX-512/1990 standard digital signal adopted widely in international to the analog control signal. Output 1~3 Channels for option and each channel able to achieve 256 levels of brightness controlling, and also it can be used as the connector of PC digital-light controller and analog light modulator. It is mainly used for the controlling of buildings & lights applied LED.

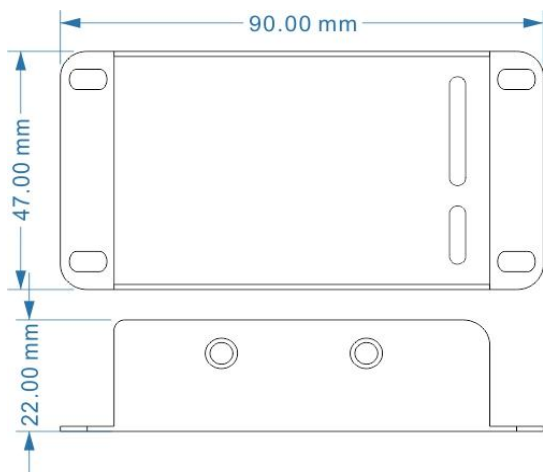
## Features:

- ◆ Meets DMX512/1990, with RJ45 interface.
- ◆ 256-levels brightness, full-color with driver controls.
- ◆ Output 3 channels, Max 3A per channel, Total current is 9A.
- ◆ Can achieve asynchronous color changes effect under working with controller.
- ◆ With the light color selected mechanism, and be able to control the light with 1~3 colors.
- ◆ DMX address auto generation, DMX signal Serial transmission, distinguish DMX IN and DMX OUT.
- ◆ Modularizing and can be matched with different LED module neatly.
- ◆ Custom-made.

## Tech-parameter:

Input: DC12-24V	Output: <9A(<3A/CH)	Control channels: 3CH
MAX Power: <216W	Frequency: 5000HZ	
Signal Input : DMX-512/1990 Digital signal		Transmission Mode: Serial transmission
Work Temp.: 0~70°C	The light gray level: 256	Protection grade: IP40
Gross Weight: 125g	Product size: L90*W47*H22(mm) /Custom-made	

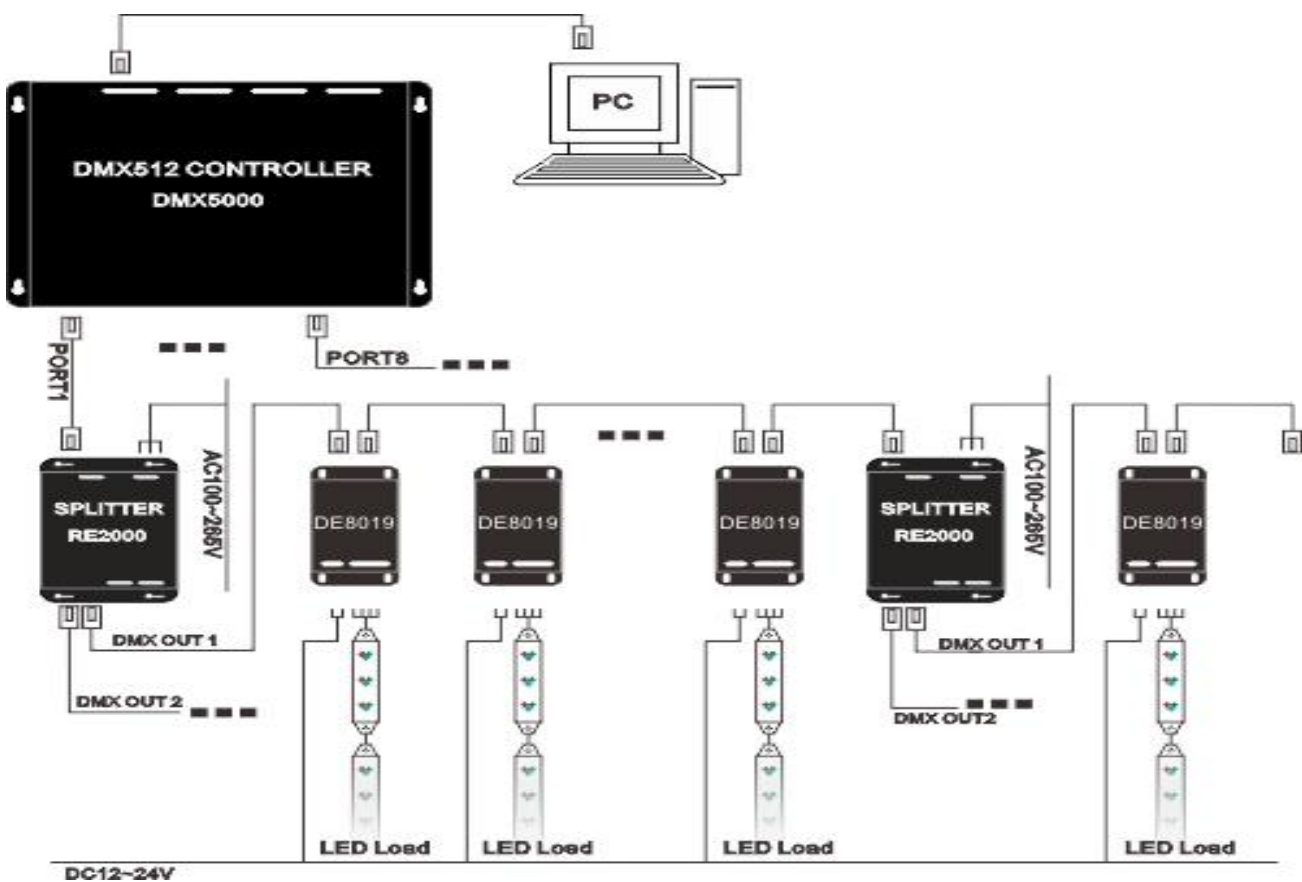
## Size:



Product panel:



Wiring Diagram:



### DMX-512 control signal connection

- ◆ DMX signal cable with five super twisted pair (cable), DMX signal positive, negative terminal crimping, in DMX signal line plug should be paid special attention to the polarity. The DMX512 controller input and output of the RJ45 network: PIN1 signal, PIN2 signal is negative, PIN7.8 signal, please corresponding polarity connection.
- ◆ The DMX5000 output and DE8019 transmission line can't exceed 300 meters.
- ◆ Most DMX5000 each port connected 170 DE8019, the JBLED FLASH light system software can realize control and computer on-line, realize unlimited expansion cascade with DMX lamp.
- ◆ Please note, the DMX signal input and output please interface between DMX signal, cannot be inserted opposite, or can not work, the signal transmission does not come.